

# PARTS LIST

[ KD-AR800 / KD-G800 ]

\* All printed circuit boards and its assemblies are not available as service parts.

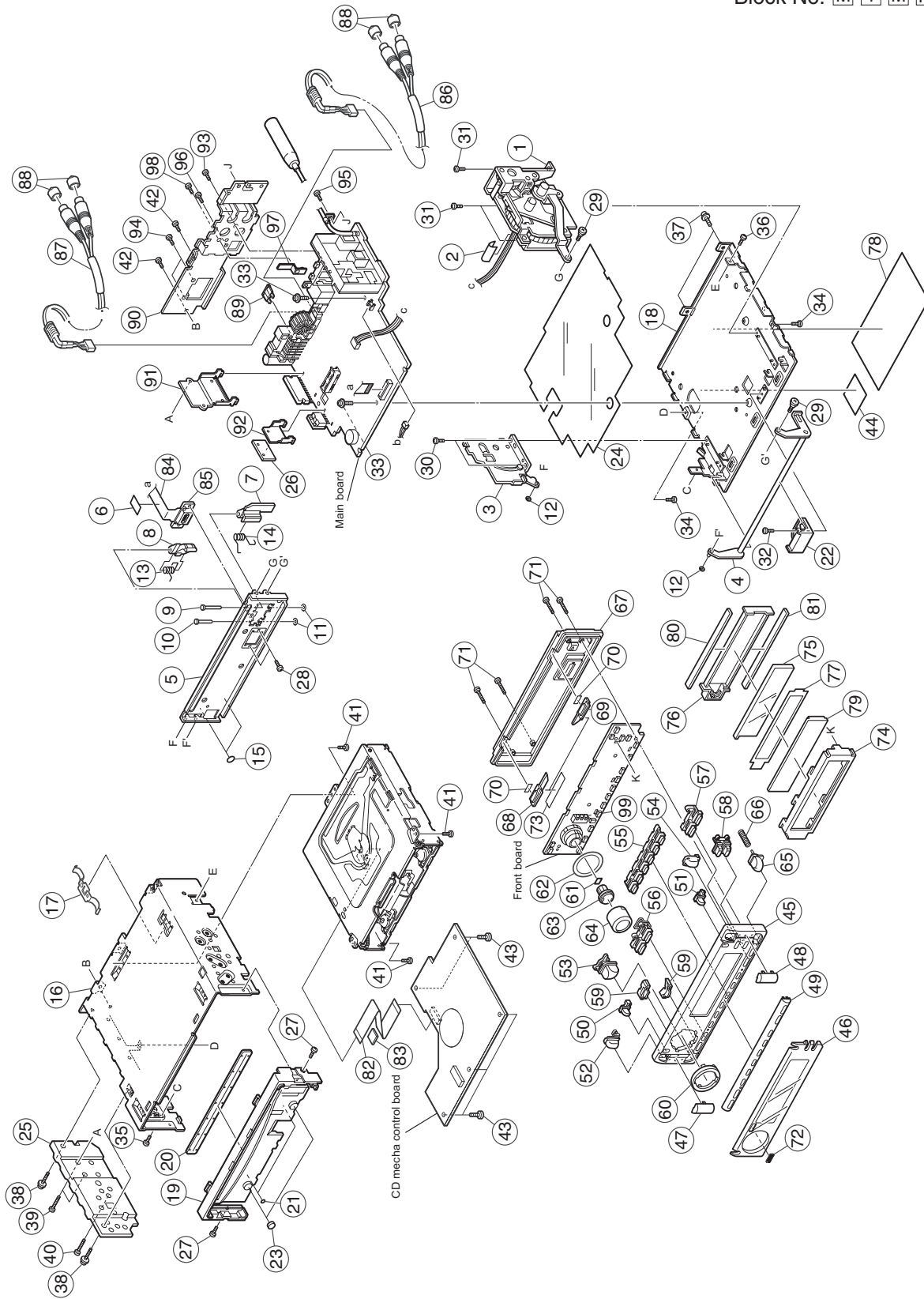
Area suffix  
J ----- Northern America

- Contents -

Exploded view of general assembly and parts list (Block No.M1) .....	3- 2
CD mechanism assembly and parts list (Block No.MB) .....	3- 4
Electrical parts list (Block No.01~03) .....	3- 6
Packing materials and accessories parts list (Block No.M3).....	3-14

# Exploded view of general assembly and parts list

Block No. M 1 M M



# General Assembly

Block No. [M][1][M][M]

△ Symbol No.	Part No.	Part Name	Description	Local
1	GE20156-001A	GEAR BKT UNIT		
2	FSYH4036-100	SHEET		
3	GE30968-001A	LEVER BKT UNIT		
4	GE30964-001A	LOWER LEVER ASS		
5	GE30975-001A	FRONT BKT ASSY		
6	FSYH4036-100	SHEET		
7	GE30972-001A	DETACH LEVER		
8	GE30973-001A	KICK LEVER		
9	GE40192-001A	SHAFT		
10	GE40193-001A	SHAFT		
11	WDL123525	WASHER	(x2)	
12	WDL215025	WASHER	(x2)	
13	GE40194-001A	T SPRING		
14	GE40195-002A	T.SPRING		
15	GE40218-009A	SHEET	(x2)	
16	GE10073-004A	TOP CHASSIS		
17	GE40135-001A	EARTH PLATE		
18	GE10074-001A	BOTTOM CHASSIS		
19	GE10075-001A	FRONT CHASSIS		
20	GE40156-001A	BLIND		
21	GE40224-001A	MIRROR SHEET	(x2)	
22	GE30974-001A	FPC GUIDE		
23	GE40196-001A	ABSORBER	(x2)	
24	GE31204-003A	INSULATOR		
25	GE31206-002A	HEAT SINK		
26	GE40107-002A	HEAT SINK		
27	QYSPSP2003M	SCREW	2mm x 3mm(x2)	
28	QYSPSTU2040M	TAP SCREW	M2 x 4mm(x2)	
29	LV42181-002A	SPECIAL SCREW	(x2)	
30	LV40865-001A	MINI SCREW	(x2)	
31	LV40865-001A	MINI SCREW	(x3)	
32	LV40865-001A	MINI SCREW		
33	LV41200-001A	SPECIAL SCREW	(x2)	
34	QYSDST2606Z	SCREW	2.6mm x 6mm(x2)	
35	QYSDST2604Z	SCREW	2.6mm x 4mm	
36	QYSDST2604Z	SCREW	2.6mm x 4mm	
37	LV41200-001A	SPECIAL SCREW	(x2)	
38	FSKZ4005-002	SCREW	(x2)	
39	QYSDST2610Z	SCREW	2.6mm x 10mm(x2)	
40	QYSDST2610Z	SCREW	2.6mm x 10mm	
41	QYSDST2604Z	SCREW	2.6mm x 4mm(x3)	
42	QYSDST2604Z	SCREW	2.6mm x 4mm(x2)	
43	QYSDST2004Z	SCREW	2mm x 4mm(x5)	
44	GE40218-011A	SHEET		
45	GE10084-002A	FRONT PANEL		AR80 0J
45	GE10084-001A	FRONT PANEL		G800J
46	GE31184-003A	FINDER ASSY		AR80 0J
46	GE31184-002A	FINDER ASSY		G800J
47	GE31199-002A	COVER PLATE L		AR80 0J
47	GE31199-001A	COVER PLATE L		G800J
48	GE31218-002A	COVER PLATE R		AR80 0J
48	GE31218-001A	COVER PLATE R		G800J
49	GE31198-004A	COVER PLATE B		AR80 0J
49	GE31198-001A	COVER PLATE B		G800J
50	GE31189-001A	DISPLAY BUTTON		
51	GE31190-001A	ANGLE BUTTON		
52	GE31185-002A	POWER BUTTON		AR80 0J
52	GE31185-001A	POWER BUTTON		G800J
53	GE31186-002A	MODE BUTTON		AR80 0J
53	GE31186-001A	MODE BUTTON		G800J
54	GE31187-002A	EJECT BUTTON		AR80 0J
54	GE31187-001A	EJECT BUTTON		G800J
55	GE20166-001A	PRESET BUTTON		
56	GE31191-001A	D FUNC BUTTON		
57	GE31192-001A	SEARCH BUTTON		
58	GE31193-001A	UP/DOWN BUTTON		
59	GE31197-001A	RIM LENS	(x2)	

△ Symbol No.	Part No.	Part Name	Description	Local
60	GE31196-001A	RIM COVER		
61	FSYH4036-032	SHEET		
62	GE40218-002A	SHEET		
63	GE31195-002A	SEL BUTTON		
64	GE31194-001A	KNOB		
65	GE31188-002A	DETACH BUTTON		AR80 0J
65	GE31188-001A	DETACH BUTTON		G800J
66	FSKW3002-012	COMP.SPRING		
67	GE10085-001A	REAR COVER		
68	GE40211-001A	REAR LENS (L)		
69	GE40216-001A	REAR LENS (R)		
70	GE40218-010A	SHEET	(x2)	
71	VKZ4777-001	MINI SCREW	(x4)	
72	GE40204-001A	JVC BADGE		
73	GE40218-005A	SHEET	(x2)	
74	GE31201-002A	LCD CASE		
75	GE31036-001A	LCD LENS		
76	GE31037-001A	LENS CASE		
77	GE40200-002A	LIGHTING SHEET		
78	GE31142-003A	NAME PLATE		AR80 0J
78	GE31139-002A	NAME PLATE		G800J
79	QLD0296-001	LCD MODULE		
80	QNZ0442-001	LCD CONNECTOR		
81	QNZ0442-001	LCD CONNECTOR		
82	QUQ105-2207AE	FFC WIRE		
83	VYSH101-009	SPACER		
84	QAL0536-001	FPC CABLE		
85	QNZ0664-001	CAR CONNECTOR		
86	QAM0548-001	L-IN CABLE		AR80 0J
87	QAM0547-001	SUBWOOFER CABEL		
88	VYTA500-001	PIN CAP	(x4)	AR80 0J
88	VYTA500-001	PIN CAP	(x2)	G800J
△ 89	QMFZ047-150-T	FUSE	15A	
90	GE31205-003A	REAR BRACKET		
91	GE40207-001A	POWER IC BKT		
92	GE40208-001A	REG IC BKT		
93	QYSDSF2606Z	SCREW	2.6mm x 6mm	
94	QYSDSF2606Z	SCREW	2.6mm x 6mm(x2)	
95	QYSDST2604Z	SCREW	2.6mm x 4mm	
96	QYSDST2606Z	SCREW	2.6mm x 6mm	
97	GE40214-001A	WIRE HOLDER		
98	QYSDST2604Z	SCREW	2.6mm x 4mm	
99	FSKS3017-002	LED HOLDER		

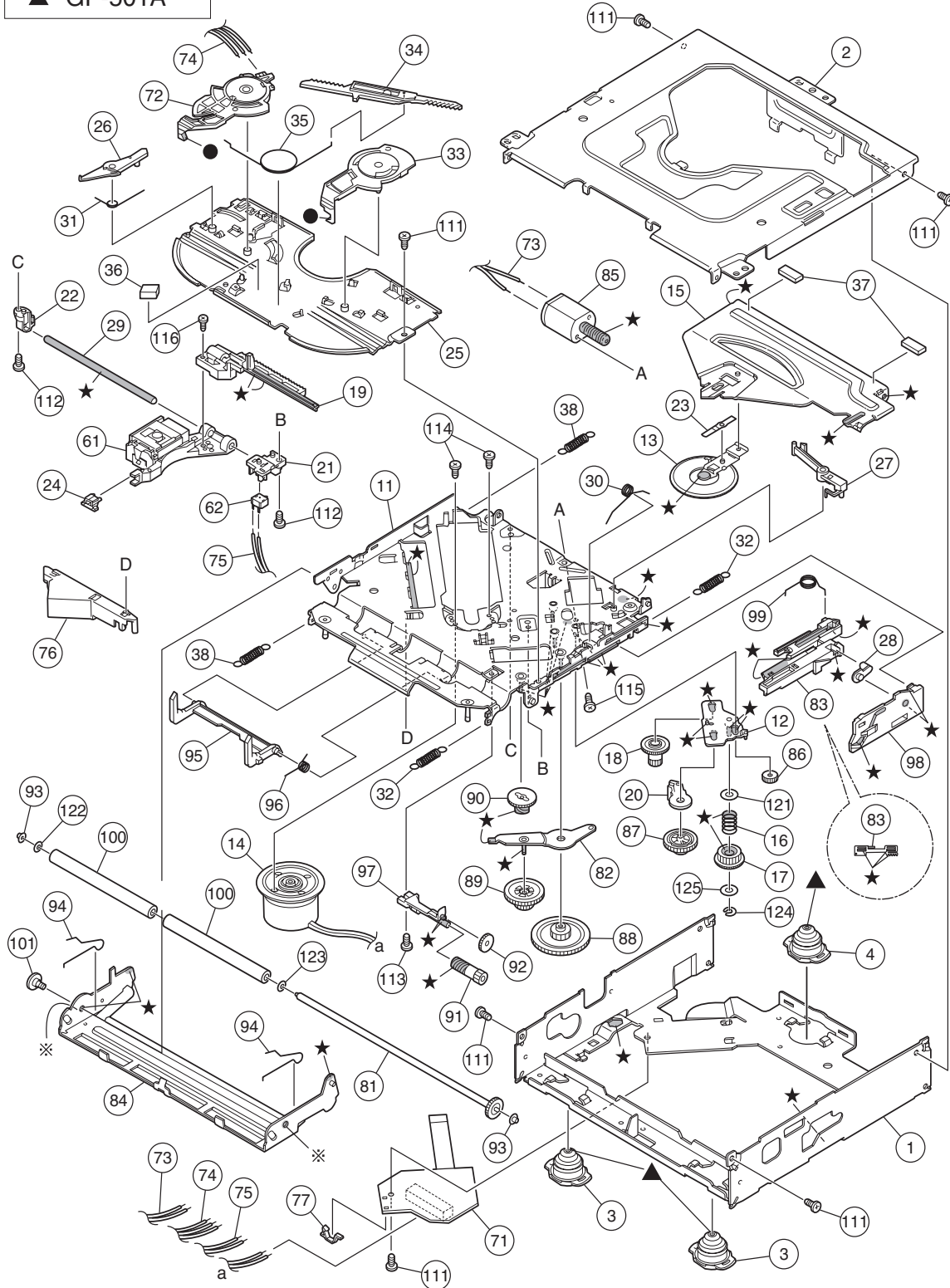
# CD mechanism assembly and parts list

## Grease

- ★ TNG-87
- ※ GP-501MK
- CFD-005Z
- ▲ GP-501A

TN-2001-1013

Block No. M B M M



# CD mechanism

Block No. [M][B][M][M]

△ Symbol No.	Part No.	Part Name	Description	Local
1	30320101T	FRAME		
2	30320102T	TOP COVER		
3	30320115T	DANPER F	(x2)	
4	30320116T	DANPER R		
11	303205505T	CHASSIS RIVET		
12	303205503T	CHANGE P. RVT A		
13	303205301T	CLAMPER ASSY		
14	303205302T	SPINDLE MOTOR A		
15	30320502T	CLAMPER ARM		
16	30320503T	CHANGE GEAR SPG		
17	30320505T	CHANGE GEAR 2		
18	30320506T	FEED GEAR		
19	30320507T	FEED RACK		
20	30320509T	CHANGE LOCK RAR		
21	30320510T	FEED SW HOLDER		
22	30320511T	PU SHAFT HOLDER		
23	30320513T	CLAMPER SUB SPG		
24	30320514T	FD SUB HOLDER		
25	30320518T	TOP PLATE		
26	30320519T	SELECT LOCK ARM		
27	30320520T	TRIGGER ARM		
28	30320521T	SLIDE HOOK		
29	30320522T	PU SHAFT		
30	30320525T	CLAMPER ARM SPG		
31	30320526T	SELECT L ARM SP		
32	30320538T	SUSPENSION SP R	(x2)	
33	30320529T	SELECT ARM R		
34	30320530T	LINK PLATE		
35	30320531T	LINK PLATE SPG		
36	30320523T	CUSHION F		
37	30320524T	CUSHION R	(x2)	
38	30320539T	SUSPENSION SP L	(x2)	
61	69011614T	PICKUP OPT-725		
62	64180406T	DET SW ESE22		
71	303210302T	CONN BOARD ASSY		
72	30321002T	MODE SW		
73	30321003T	LOAD MOTOR WIRE		
74	30321005T	MODE SW WIRE		
75	30321009T	SL WIRE		
76	30321011T	WIRE HOLDER		
77	19501403T	WIRE CLUMPER		
81	303211301T	ROLLER SHAFT AS		
82	303211501T	L GEAR PLATE RV		
83	303211302T	LOADING PLATE A		
84	303211502T	LOCK ARM RV ASS		
85	303211303T	L/F MOTOR ASSY		
86	30321101T	LOADING GEAR 1		
87	30321102T	LOADING GEAR 2		
88	30321103T	LOADING GEAR 3		
89	30321104T	LOADING GEAR 4		
90	30321105T	LOADING GEAR 5		
91	30321106T	LOADING GEAR 6		
92	30321107T	LOADING GEAR 7		
93	30321111T	ROLLER GUIDE	(x2)	
94	30321114T	ROLLER GUIDE SP	(x2)	
95	30321116T	DISC STOPPER AR		
96	30321117T	DISC ST ARM SPG		
97	30321118T	LD GEAR BRACKET		
98	30321125T	L SIDE PLATE		
99	30321131T	LOAD PLATE SPG		
100	30321133T	LDG ROLLER	(x2)	
101	18211223T	COLLAR SCREW		
111	9P0420031T	SCREW	(x6)	
112	9P0420041T	TAP.SCREW	(x2)	
113	9B0320041T	SCREW		
114	9C0117183T	SCREW	(x2)	
115	9C0120203T	SCREW		
116	9C0317503T	SCREW		
121	9W0130170T	PW 3.5X8X0.3		
122	9W0513060T	HL WASHER		
123	9W0710070T	L WASHER		
124	9E0100152T	E RING		
125	9W0113020T	PW 2.1X4X0.13		

# Electrical parts list

## Main board

Block No. [0][1][0][0]

△ Symbol No.	Part No.	Part Name	Description	Local
IC31	TB2118F-X	PLL IC		
IC161	BD3807K	IC		
IC251	NJM4565M-WE	IC		
IC271	CD4066BPW-X	IC		
IC301	LA47515	IC		
IC361	NJM2160AV-X	IC		
IC381	NJM2160AV-X	IC		
IC701	UPD784217AGC241	IC		
IC702	IC-PST3433U-X	IC		
IC771	BR24L16F-W-X	IC		
IC801	HD74HC126FP-X	IC		
IC901	AN80T07	IC		
IC951	BA6956AN	IC		
Q1	2SD601A/QR/-X	TRANSISTOR		
Q5	2SB709A/QR/-X	TRANSISTOR		
Q6	2SB624/4/-X	TRANSISTOR		
Q7	UN2211-X	TRANSISTOR		
Q8	UN2211-X	TRANSISTOR		
Q31	UN2211-X	TRANSISTOR		
Q241	2SD601A/R/-X	TRANSISTOR		
Q271	2SD1781K/QR/-X	TRANSISTOR		
Q272	UN2211-X	TRANSISTOR		
Q273	UN2211-X	TRANSISTOR		
Q274	UN2111-X	TRANSISTOR		
Q301	UN2211-X	TRANSISTOR		AR80 OJ
Q321	KTD1304-X	TRANSISTOR		
Q331	KTD1304-X	TRANSISTOR		
Q341	KTD1304-X	TRANSISTOR		
Q351	KTD1304-X	TRANSISTOR		
Q701	UN2211-X	TRANSISTOR		
Q702	UN2213-X	DIGI TRANSISTOR		
Q703	UN2211-X	TRANSISTOR		
Q704	UN2211-X	TRANSISTOR		
Q705	UN2211-X	TRANSISTOR		
Q781	UN2111-X	TRANSISTOR		
Q782	UN2211-X	TRANSISTOR		
Q784	UN2111-X	TRANSISTOR		
Q841	UN2211-X	TRANSISTOR		
Q881	UN2211-X	TRANSISTOR		
Q951	UN2211-X	TRANSISTOR		
Q976	UN2211-X	TRANSISTOR		
Q977	2SB709A/QR/-X	TRANSISTOR		
D1	1SS355-X	SI DIODE		
D2	1SS355-X	SI DIODE		
D4	MA152WK-X	SI DIODE		
D169	MA152WK-X	SI DIODE		
D242	1SS355-X	SI DIODE		
D243	RB160M-30-X	SB DIODE		
D244	UDZS5.1B-X	Z DIODE		
D272	1SS355-X	SI DIODE		
D273	1SS355-X	SI DIODE		
D321	1SS355-X	SI DIODE		
D322	1SS355-X	SI DIODE		
D701	UDZS6.2B-X	Z DIODE		
D702	UDZS6.2B-X	Z DIODE		
D703	UDZS6.2B-X	Z DIODE		
D704	UDZS6.2B-X	Z DIODE		
D705	UDZS6.2B-X	Z DIODE		
D706	UDZS6.2B-X	Z DIODE		
D707	UDZS6.2B-X	Z DIODE		
D708	UDZS6.2B-X	Z DIODE		
D709	UDZS6.2B-X	Z DIODE		
D710	UDZS6.2B-X	Z DIODE		
D711	UDZS6.2B-X	Z DIODE		
D712	1SS355-X	SI DIODE		
D713	UDZS6.2B-X	Z DIODE		
D714	UDZS6.2B-X	Z DIODE		
D715	1SS355-X	SI DIODE		
D716	1SS355-X	SI DIODE		

△ Symbol No.	Part No.	Part Name	Description	Local
D781	1SS355-X	SI DIODE		
D782	1SS355-X	SI DIODE		
D784	UDZS11B-X	Z DIODE		
D901	1N5401-TU-15	DIODE		
D902	1SS355-X	SI DIODE		
D951	UDZS3.9B-X	Z DIODE		
D971	RB160M-30-X	SB DIODE		
D972	RB160M-30-X	SB DIODE		
C1	QERF1CM-226Z	E CAPACITOR	22uF 16V M	
C2	NCB31EK-473X	C CAPACITOR	0.047uF 25V K	
C3	NCB31EK-103X	C CAPACITOR	0.01uF 25V K	
C4	QERF1AM-227Z	E CAPACITOR	220uF 10V M	
C5	QERF1HM-104Z	E CAPACITOR	0.1uF 50V M	
C6	NCB31HK-103X	C CAPACITOR	0.01uF 50V K	
C9	QERF1CM-106Z	E CAPACITOR	10uF 16V M	
C12	NCB31HK-103X	C CAPACITOR	0.01uF 50V K	
C31	QERF1AM-107Z	E CAPACITOR	100uF 10V M	
C32	NDC31HJ-470X	C CAPACITOR	47pF 50V J	
C33	QERF0JM-476Z	E CAPACITOR	47uF 6.3V M	
C34	NCB31EK-473X	C CAPACITOR	0.047uF 25V K	
C35	NDC31HJ-100X	C CAPACITOR	10pF 50V J	
C36	NDC31HJ-7R0X	C CAPACITOR	7pF 50V J	
C37	NDC31HJ-100X	C CAPACITOR	10pF 50V J	
C38	NCB31HK-102X	C CAPACITOR	1000pF 50V K	
C39	NCB31HK-102X	C CAPACITOR	1000pF 50V K	
C40	QERF1CM-106Z	E CAPACITOR	10uF 16V M	
C41	NCB31EK-473X	C CAPACITOR	0.047uF 25V K	
C42	NCB31HK-103X	C CAPACITOR	0.01uF 50V K	
C43	QFV61HJ-473Z	MF CAPACITOR	0.047uF 50V J	
C44	NCB31EK-103X	C CAPACITOR	0.01uF 25V K	
C45	NCB31HK-272X	C CAPACITOR	2700pF 50V K	
C46	NCB31HK-103X	C CAPACITOR	0.01uF 50V K	
C47	NCB31HK-103X	C CAPACITOR	0.01uF 50V K	
C48	NCB31EK-473X	C CAPACITOR	0.047uF 25V K	
C49	NCB31HK-102X	C CAPACITOR	1000pF 50V K	
C50	NDC31HJ-101X	C CAPACITOR	100pF 50V J	
C51	NDC31HJ-331X	C CAPACITOR	330pF 50V J	
C81	QERF1HM-105Z	E CAPACITOR	1uF 50V M	
C82	NCB31HK-562X	C CAPACITOR	5600pF 50V K	
C84	NCB31HK-123X	C CAPACITOR	0.012uF 50V K	
C85	NCB31HK-223X	C CAPACITOR	0.022uF 50V K	
C91	QERF1HM-105Z	E CAPACITOR	1uF 50V M	
C92	NCB31HK-562X	C CAPACITOR	5600pF 50V K	
C94	NCB31HK-123X	C CAPACITOR	0.012uF 50V K	
C95	NCB31HK-223X	C CAPACITOR	0.022uF 50V K	
C160	NCB31EK-472X	C CAPACITOR	4700pF 25V K	AR80 OJ
C161	QERF1HM-105Z	E CAPACITOR	1uF 50V M	AR80 OJ
C162	QERF1HM-105Z	E CAPACITOR	1uF 50V M	AR80 OJ
C163	QERF1HM-105Z	E CAPACITOR	1uF 50V M	
C164	QERF1HM-105Z	E CAPACITOR	1uF 50V M	
C165	QERF1HM-105Z	E CAPACITOR	1uF 50V M	
C166	NCB31HK-221X	C CAPACITOR	220pF 50V K	
C167	NCB31EK-104X	C CAPACITOR	0.1uF 25V K	
C168	NCB31HK-103X	C CAPACITOR	0.01uF 50V K	
C169	NCB31HK-103X	C CAPACITOR	0.01uF 50V K	
C170	NCB31EK-472X	C CAPACITOR	4700pF 25V K	AR80 OJ
C171	QERF1HM-105Z	E CAPACITOR	1uF 50V M	AR80 OJ
C172	QERF1HM-105Z	E CAPACITOR	1uF 50V M	AR80 OJ
C173	QERF1HM-105Z	E CAPACITOR	1uF 50V M	
C174	QERF1HM-105Z	E CAPACITOR	1uF 50V M	
C175	QERF1HM-105Z	E CAPACITOR	1uF 50V M	
C176	NCB31HK-221X	C CAPACITOR	220pF 50V K	
C177	NCB31EK-104X	C CAPACITOR	0.1uF 25V K	
C178	NCB31EK-103X	C CAPACITOR	0.01uF 25V K	
C179	NCB31EK-103X	C CAPACITOR	0.01uF 25V K	
C180	QERF1CM-106Z	E CAPACITOR	10uF 16V M	
C181	QERF1CM-107Z	E CAPACITOR	100uF 16V M	
C182	NCB31EK-104X	C CAPACITOR	0.1uF 25V K	
C183	NCB31EK-104X	C CAPACITOR	0.1uF 25V K	AR80 OJ

△ Symbol No.	Part No.	Part Name	Description	Local	△ Symbol No.	Part No.	Part Name	Description	Local
C241	QERF1HM-105Z	E CAPACITOR	1uF 50V M		C716	NCB31EK-104X	C CAPACITOR	0.1uF 25V K	
C242	QERF1CM-226Z	E CAPACITOR	22uF 16V M		C717	NCB31EK-104X	C CAPACITOR	0.1uF 25V K	
C243	NCB31EK-473X	C CAPACITOR	0.047uF 25V K		C718	NCB31EK-104X	C CAPACITOR	0.1uF 25V K	
C245	QERF1HM-224Z	E CAPACITOR	0.22uF 50V M		C719	NCB31EK-104X	C CAPACITOR	0.1uF 25V K	
C251	NCB31HK-682X	C CAPACITOR	6800pF 50V K	AR80 0J	C720	NCB31HK-103X	C CAPACITOR	0.01uF 50V K	
C251	NCB31HK-822X	C CAPACITOR	8200pF 50V K	G800J	C721	NCB31HK-103X	C CAPACITOR	0.01uF 50V K	
C252	NBE21AM-106X	TA E CAPACITOR	10uF 10V M		C722	NCB31HK-103X	C CAPACITOR	0.01uF 50V K	
C253	NBE21AM-106X	TA E CAPACITOR	10uF 10V M		C771	NCB31EK-473X	C CAPACITOR	0.047uF 25V K	
C254	NCB31EK-823X	C CAPACITOR	0.082uF 25V K		C781	QERF0JM-476Z	E CAPACITOR	47uF 6.3V M	
C255	QERF1CM-476Z	E CAPACITOR	47uF 16V M		C782	NCB31EK-823X	C CAPACITOR	0.082uF 25V K	
C256	NCB31HK-103X	C CAPACITOR	0.01uF 50V K		C784	QERF1CM-107Z	E CAPACITOR	100uF 16V M	
C261	QERF1HM-225Z	E CAPACITOR	2.2uF 50V M		C801	NCB31EK-473X	C CAPACITOR	0.047uF 25V K	
C262	QERF1HM-225Z	E CAPACITOR	2.2uF 50V M		C841	QERF1HM-105Z	E CAPACITOR	1uF 50V M	
C271	NCB31EK-473X	C CAPACITOR	0.047uF 25V K		C881	QERF1CM-226Z	E CAPACITOR	22uF 16V M	
C272	NDC31HJ-101X	C CAPACITOR	100pF 50V J		C901	QEZO675-338	E CAPACITOR	3300uF	
C273	NDC31HJ-101X	C CAPACITOR	100pF 50V J		C902	QERF1HM-225Z	E CAPACITOR	2.2uF 50V M	
C274	NCB31EK-273X	C CAPACITOR	0.027uF 25V K		C903	QERF1CM-476Z	E CAPACITOR	47uF 16V M	
C275	NCB31EK-273X	C CAPACITOR	0.027uF 25V K		C904	QERF1CM-106Z	E CAPACITOR	10uF 16V M	
C276	NCB31EK-333X	C CAPACITOR	0.033uF 25V K		C905	QERF1CM-476Z	E CAPACITOR	47uF 16V M	
C277	NCB31EK-562X	C CAPACITOR	5600pF 25V K		C906	NCB31HK-103X	C CAPACITOR	0.01uF 50V K	
C278	NCB31EK-123X	C CAPACITOR	0.012uF 25V K		C907	QERF1AM-227Z	E CAPACITOR	220uF 10V M	
C279	NBE40JM-476X	TA E CAPACITOR	47uF 6.3V M		C908	QERF1AM-227Z	E CAPACITOR	220uF 10V M	
C301	QFVD1HJ-474Z	MF CAPACITOR	0.47uF 50V J		C909	QERF1AM-227Z	E CAPACITOR	220uF 10V M	
C302	QFVD1HJ-474Z	MF CAPACITOR	0.47uF 50V J		C910	QERF1CM-476Z	E CAPACITOR	47uF 16V M	
C303	NDC31HJ-391X	C CAPACITOR	390pF 50V J		C911	NCB31EK-104X	C CAPACITOR	0.1uF 25V K	
C304	NDC31HJ-391X	C CAPACITOR	390pF 50V J		C912	NCB31HK-103X	C CAPACITOR	0.01uF 50V K	
C305	QERF1HM-105Z	E CAPACITOR	1uF 50V M		C914	QERF1CM-107Z	E CAPACITOR	100uF 16V M	
C306	QERF1HM-105Z	E CAPACITOR	1uF 50V M		C915	NCB31EK-104X	C CAPACITOR	0.1uF 25V K	
C311	QFVD1HJ-474Z	MF CAPACITOR	0.47uF 50V J		C917	NCB21CK-334X	C CAPACITOR	0.33uF 16V K	
C312	QFVD1HJ-474Z	MF CAPACITOR	0.47uF 50V J		C951	QERF1AM-227Z	E CAPACITOR	220uF 10V M	
C313	NDC31HJ-391X	C CAPACITOR	390pF 50V J		C961	NDC31HJ-101X	C CAPACITOR	100pF 50V J	
C314	NDC31HJ-391X	C CAPACITOR	390pF 50V J		C962	NDC31HJ-101X	C CAPACITOR	100pF 50V J	
C315	QERF1CM-475Z	E CAPACITOR	4.7uF 16V M		C963	NDC31HJ-101X	C CAPACITOR	100pF 50V J	
C316	QERF1CM-475Z	E CAPACITOR	4.7uF 16V M		C964	NDC31HJ-101X	C CAPACITOR	100pF 50V J	
C317	QERF1CM-476Z	E CAPACITOR	47uF 16V M		C965	NDC31HJ-101X	C CAPACITOR	100pF 50V J	
C318	QERF1CM-226Z	E CAPACITOR	22uF 16V M		C966	NDC31HJ-101X	C CAPACITOR	100pF 50V J	
C319	NCB31EK-223X	C CAPACITOR	0.022uF 25V K		C967	NDC31HJ-101X	C CAPACITOR	100pF 50V J	
C320	NCB31EK-223X	C CAPACITOR	0.022uF 25V K		C968	NDC31HJ-101X	C CAPACITOR	100pF 50V J	
C321	NDC31HJ-101X	C CAPACITOR	100pF 50V J		C971	NCB31EK-104X	C CAPACITOR	0.1uF 25V K	
C322	NCB31EK-473X	C CAPACITOR	0.047uF 25V K		R1	NRS181J-120X	MG RESISTOR	12Ω 1/8W J	
C323	NCB21CK-104X	C CAPACITOR	0.1uF 16V K		R2	NRSA63J-473X	MG RESISTOR	47kΩ 1/16W J	
C324	NCB21CK-104X	C CAPACITOR	0.1uF 16V K		R4	NRSA63J-332X	MG RESISTOR	3.3kΩ 1/16W J	
C325	NCB21CK-104X	C CAPACITOR	0.1uF 16V K		R5	NRSA63J-473X	MG RESISTOR	47kΩ 1/16W J	
C326	NCB21CK-104X	C CAPACITOR	0.1uF 16V K		R6	NRSA63J-473X	MG RESISTOR	47kΩ 1/16W J	
C361	QERF1EM-475Z	E CAPACITOR	4.7uF 25V M		R7	NRSA63J-472X	MG RESISTOR	4.7kΩ 1/16W J	
C362	NCB31EK-104X	C CAPACITOR	0.1uF 25V K		R8	NRSA63J-103X	MG RESISTOR	10kΩ 1/16W J	
C363	NBE40JM-476X	TA E CAPACITOR	47uF 6.3V M		R9	NRSA63J-470X	MG RESISTOR	47Ω 1/16W J	
C364	NCB31EK-104X	C CAPACITOR	0.1uF 25V K		R10	NRSA63J-0R0X	MG RESISTOR	0Ω 1/16W J	
C365	QERF1EM-475Z	E CAPACITOR	4.7uF 25V M		R12	NRSA63J-0R0X	MG RESISTOR	0Ω 1/16W J	
C366	QERF1AM-107Z	E CAPACITOR	100uF 10V M		R31	NRS181J-100X	MG RESISTOR	10Ω 1/8W J	
C367	NBE21AM-475X	TA E CAPACITOR	4.7uF 10V M		R32	NRSA63J-622X	MG RESISTOR	6.2kΩ 1/16W J	
C368	QERF1EM-475Z	E CAPACITOR	4.7uF 25V M		R33	NRSA63J-103X	MG RESISTOR	10kΩ 1/16W J	
C369	QERF1AM-107Z	E CAPACITOR	100uF 10V M		R34	NRSA63J-222X	MG RESISTOR	2.2kΩ 1/16W J	
C370	NCB31HK-152X	C CAPACITOR	1500pF 50V K		R35	NRSA63J-222X	MG RESISTOR	2.2kΩ 1/16W J	
C371	NCB31HK-152X	C CAPACITOR	1500pF 50V K		R36	NRSA63J-222X	MG RESISTOR	2.2kΩ 1/16W J	
C381	QERF1EM-475Z	E CAPACITOR	4.7uF 25V M		R37	NRSA63J-222X	MG RESISTOR	2.2kΩ 1/16W J	
C382	NCB31EK-104X	C CAPACITOR	0.1uF 25V K		R38	NRSA63J-101X	MG RESISTOR	100Ω 1/16W J	
C383	QERF1CM-476Z	E CAPACITOR	47uF 16V M		R39	NRSA63J-0R0X	MG RESISTOR	0Ω 1/16W J	
C384	NCB31EK-104X	C CAPACITOR	0.1uF 25V K		R40	NRSA63J-393X	MG RESISTOR	39kΩ 1/16W J	
C385	QERF1EM-475Z	E CAPACITOR	4.7uF 25V M		R41	NRSA63J-103X	MG RESISTOR	10kΩ 1/16W J	
C386	QERF1AM-107Z	E CAPACITOR	100uF 10V M		R42	NRS181J-100X	MG RESISTOR	10Ω 1/8W J	
C387	QERF1EM-475Z	E CAPACITOR	4.7uF 25V M		R43	NRSA63J-471X	MG RESISTOR	470Ω 1/16W J	
C388	QERF1EM-475Z	E CAPACITOR	4.7uF 25V M		R44	NRSA63J-221X	MG RESISTOR	220Ω 1/16W J	
C389	QERF1AM-107Z	E CAPACITOR	100uF 10V M		R60	NRSA63J-273X	MG RESISTOR	27kΩ 1/16W J	
C391	NCB31HK-152X	C CAPACITOR	1500pF 50V K		R81	NRSA63J-152X	MG RESISTOR	1.5kΩ 1/16W J	
C392	NCB31HK-152X	C CAPACITOR	1500pF 50V K		R82	NRSA63J-222X	MG RESISTOR	2.2kΩ 1/16W J	
C701	NDC31HJ-220X	C CAPACITOR	22pF 50V J		R91	NRSA63J-152X	MG RESISTOR	1.5kΩ 1/16W J	
C702	NDC31HJ-270X	C CAPACITOR	27pF 50V J		R92	NRSA63J-222X	MG RESISTOR	2.2kΩ 1/16W J	
C703	NDC31HJ-270X	C CAPACITOR	27pF 50V J		R161	NRSA63J-222X	MG RESISTOR	2.2kΩ 1/16W J	
C704	NDC31HJ-8R0X	C CAPACITOR	8pF 50V J		R162	NRSA63J-222X	MG RESISTOR	2.2kΩ 1/16W J	
C705	NCB31EK-104X	C CAPACITOR	0.1uF 25V K		R163	NRSA63J-333X	MG RESISTOR	33kΩ 1/16W J	
C706	NCB31EK-473X	C CAPACITOR	0.047uF 25V K		R164	NRSA63J-0R0X	MG RESISTOR	0Ω 1/16W J	
C707	NCB31EK-473X	C CAPACITOR	0.047uF 25V K		R165	NRSA63J-472X	MG RESISTOR	4.7kΩ 1/16W J	
C708	NCB31EK-473X	C CAPACITOR	0.047uF 25V K		R166	NRSA63J-473X	MG RESISTOR	47kΩ 1/16W J	
C709	NCB31HK-103X	C CAPACITOR	0.01uF 50V K		R167	NRSA63J-472X	MG RESISTOR	4.7kΩ 1/16W J	
C710	QERF0JM-476Z	E CAPACITOR	47uF 6.3V M		R168	NRSA63J-473X	MG RESISTOR	47kΩ 1/16W J	
C711	QERF1AM-227Z	E CAPACITOR	220uF 10V M		R169	NRSA63J-224X	MG RESISTOR	220kΩ 1/16W J	

△ Symbol No.	Part No.	Part Name	Description	Local	△ Symbol No.	Part No.	Part Name	Description	Local
R170	NRSA63J-224X	MG RESISTOR	220kΩ 1/16W J		R711	NRSA63J-473X	MG RESISTOR	47kΩ 1/16W J	
R171	NRSA63J-102X	MG RESISTOR	1kΩ 1/16W J		R712	NRSA63J-101X	MG RESISTOR	100Ω 1/16W J	
R172	NRSA63J-123X	MG RESISTOR	12kΩ 1/16W J		R714	NRSA63J-103X	MG RESISTOR	10kΩ 1/16W J	
R173	NRSA63J-102X	MG RESISTOR	1kΩ 1/16W J		R719	NRSA63J-0R0X	MG RESISTOR	0Ω 1/16W J	
R174	NRSA63J-123X	MG RESISTOR	12kΩ 1/16W J		R721	NRSA63J-102X	MG RESISTOR	1kΩ 1/16W J	
R196	NRSA63J-473X	MG RESISTOR	47kΩ 1/16W J	AR80 0J	R722	NRSA63J-103X	MG RESISTOR	10kΩ 1/16W J	
R197	NRSA63J-473X	MG RESISTOR	47kΩ 1/16W J	AR80 0J	R723	NRSA63J-103X	MG RESISTOR	10kΩ 1/16W J	
R198	NRSA63J-471X	MG RESISTOR	470Ω 1/16W J	AR80 0J	R725	NRSA63J-103X	MG RESISTOR	10kΩ 1/16W J	
R241	NRSA63J-473X	MG RESISTOR	47kΩ 1/16W J		R726	NRSA63J-103X	MG RESISTOR	10kΩ 1/16W J	
R242	NRSA63J-223X	MG RESISTOR	22kΩ 1/16W J		R728	NRSA63J-103X	MG RESISTOR	10kΩ 1/16W J	
R243	NRSA63J-184X	MG RESISTOR	180kΩ 1/16W J		R729	NRSA63J-473X	MG RESISTOR	47kΩ 1/16W J	
R244	NRSA63J-123X	MG RESISTOR	12kΩ 1/16W J		R732	NRSA63J-103X	MG RESISTOR	10kΩ 1/16W J	
R245	NRSA63J-470X	MG RESISTOR	47Ω 1/16W J		R733	NRSA63J-103X	MG RESISTOR	10kΩ 1/16W J	
R246	NRSA63J-102X	MG RESISTOR	1kΩ 1/16W J		R734	NRSA63J-222X	MG RESISTOR	2.2kΩ 1/16W J	
R247	NRSA63J-124X	MG RESISTOR	120kΩ 1/16W J		R735	NRSA63J-222X	MG RESISTOR	2.2kΩ 1/16W J	
R248	NRSA63J-221X	MG RESISTOR	220Ω 1/16W J		R736	NRSA63J-222X	MG RESISTOR	2.2kΩ 1/16W J	
R251	NRSA63J-104X	MG RESISTOR	100kΩ 1/16W J		R737	NRSA63J-0R0X	MG RESISTOR	0Ω 1/16W J	
R252	NRSA63J-473X	MG RESISTOR	47kΩ 1/16W J		R738	NRSA63J-472X	MG RESISTOR	4.7kΩ 1/16W J	
R253	NRSA63J-104X	MG RESISTOR	100kΩ 1/16W J		R739	NRSA63J-472X	MG RESISTOR	4.7kΩ 1/16W J	
R255	NRSA63J-0R0X	MG RESISTOR	0Ω 1/16W J		R740	NRSA63J-472X	MG RESISTOR	4.7kΩ 1/16W J	
R256	NRSA63J-104X	MG RESISTOR	100kΩ 1/16W J		R741	NRSA63J-103X	MG RESISTOR	10kΩ 1/16W J	
R257	NRSA63J-562X	MG RESISTOR	5.6kΩ 1/16W J		R743	NRSA63J-103X	MG RESISTOR	10kΩ 1/16W J	
R258	NRSA63J-153X	MG RESISTOR	15kΩ 1/16W J		R744	NRSA63J-103X	MG RESISTOR	10kΩ 1/16W J	
R259	NRSA63J-103X	MG RESISTOR	10kΩ 1/16W J		R745	NRSA63J-103X	MG RESISTOR	10kΩ 1/16W J	
R260	NRSA63J-473X	MG RESISTOR	47kΩ 1/16W J		R746	NRSA63J-103X	MG RESISTOR	10kΩ 1/16W J	
R261	NRSA63J-821X	MG RESISTOR	820Ω 1/16W J		R747	NRSA63J-472X	MG RESISTOR	4.7kΩ 1/16W J	
R271	NRSA63J-222X	MG RESISTOR	2.2kΩ 1/16W J		R748	NRSA63J-472X	MG RESISTOR	4.7kΩ 1/16W J	
R272	NRSA63J-101X	MG RESISTOR	100Ω 1/16W J		R749	NRSA63J-472X	MG RESISTOR	4.7kΩ 1/16W J	
R273	NRSA63J-101X	MG RESISTOR	100Ω 1/16W J		R750	NRSA63J-103X	MG RESISTOR	10kΩ 1/16W J	
R274	NRSA63J-473X	MG RESISTOR	47kΩ 1/16W J		R751	NRSA63J-103X	MG RESISTOR	10kΩ 1/16W J	
R275	NRSA63J-105X	MG RESISTOR	1MΩ 1/16W J		R752	NRSA63J-0R0X	MG RESISTOR	0Ω 1/16W J	
R276	NRSA63J-105X	MG RESISTOR	1MΩ 1/16W J		R753	NRSA63J-473X	MG RESISTOR	47kΩ 1/16W J	
R277	NRSA63J-105X	MG RESISTOR	1MΩ 1/16W J		R754	NRSA63J-821X	MG RESISTOR	820Ω 1/16W J	
R278	NRSA63J-105X	MG RESISTOR	1MΩ 1/16W J		R755	NRSA63J-106X	MG RESISTOR	10MΩ 1/16W J	
R279	NRSA63J-473X	MG RESISTOR	47kΩ 1/16W J		R756	NRSA63J-473X	MG RESISTOR	47kΩ 1/16W J	
R280	NRSA63J-103X	MG RESISTOR	10kΩ 1/16W J		R757	NRSA63J-222X	MG RESISTOR	2.2kΩ 1/16W J	
R301	NRSA63J-273X	MG RESISTOR	27kΩ 1/16W J		R758	NRSA63J-473X	MG RESISTOR	47kΩ 1/16W J	
R302	NRSA63J-273X	MG RESISTOR	27kΩ 1/16W J		R759	NRSA63J-473X	MG RESISTOR	47kΩ 1/16W J	
R305	NRSA63J-102X	MG RESISTOR	1kΩ 1/16W J	AR80 0J	R760	NRSA63J-473X	MG RESISTOR	47kΩ 1/16W J	G800J
R306	NRSA63J-103X	MG RESISTOR	10kΩ 1/16W J		R761	NRSA63J-0R0X	MG RESISTOR	0Ω 1/16W J	
R311	NRSA63J-273X	MG RESISTOR	27kΩ 1/16W J		R762	NRSA63J-0R0X	MG RESISTOR	0Ω 1/16W J	
R312	NRSA63J-273X	MG RESISTOR	27kΩ 1/16W J		R763	NRSA63J-103X	MG RESISTOR	10kΩ 1/16W J	
R321	NRSA63J-222X	MG RESISTOR	2.2kΩ 1/16W J		R764	NRSA63J-103X	MG RESISTOR	10kΩ 1/16W J	
R322	NRSA63J-821X	MG RESISTOR	820Ω 1/16W J		R765	NRSA63J-103X	MG RESISTOR	10kΩ 1/16W J	
R323	NRSA63J-101X	MG RESISTOR	100Ω 1/16W J		R767	NRSA63J-473X	MG RESISTOR	47kΩ 1/16W J	G800J AR80 0J
R331	NRSA63J-222X	MG RESISTOR	2.2kΩ 1/16W J		R768	NRSA63J-473X	MG RESISTOR	47kΩ 1/16W J	
R332	NRSA63J-821X	MG RESISTOR	820Ω 1/16W J		R769	NRSA63J-473X	MG RESISTOR	47kΩ 1/16W J	
R333	NRSA63J-101X	MG RESISTOR	100Ω 1/16W J		R771	NRSA63J-271X	MG RESISTOR	270Ω 1/16W J	
R341	NRSA63J-222X	MG RESISTOR	2.2kΩ 1/16W J		R772	NRSA63J-271X	MG RESISTOR	270Ω 1/16W J	
R342	NRSA63J-821X	MG RESISTOR	820Ω 1/16W J		R773	NRSA63J-224X	MG RESISTOR	220kΩ 1/16W J	
R343	NRSA63J-101X	MG RESISTOR	100Ω 1/16W J		R774	NRSA63J-224X	MG RESISTOR	220kΩ 1/16W J	
R351	NRSA63J-222X	MG RESISTOR	2.2kΩ 1/16W J		R775	NRSA63J-224X	MG RESISTOR	220kΩ 1/16W J	
R352	NRSA63J-821X	MG RESISTOR	820Ω 1/16W J		R776	NRSA63J-333X	MG RESISTOR	33kΩ 1/16W J	AR80 0J
R353	NRSA63J-101X	MG RESISTOR	100Ω 1/16W J		R777	NRSA63J-473X	MG RESISTOR	47kΩ 1/16W J	
R361	NRSA63J-333X	MG RESISTOR	33kΩ 1/16W J		R780	NRSA63J-473X	MG RESISTOR	47kΩ 1/16W J	
R362	NRSA63J-223X	MG RESISTOR	22kΩ 1/16W J		R781	NRSA63J-473X	MG RESISTOR	47kΩ 1/16W J	
R363	NRSA63J-223X	MG RESISTOR	22kΩ 1/16W J		R783	NRSA63J-102X	MG RESISTOR	1kΩ 1/16W J	
R365	NRSA63J-333X	MG RESISTOR	33kΩ 1/16W J		R791	NRSA63J-473X	MG RESISTOR	47kΩ 1/16W J	
R366	NRSA63J-104X	MG RESISTOR	100kΩ 1/16W J		R792	NRS181J-0R0X	MG RESISTOR	0Ω 1/8W J	
R367	NRSA63J-104X	MG RESISTOR	100kΩ 1/16W J		R801	NRSA63J-473X	MG RESISTOR	47kΩ 1/16W J	
R368	NRSA63J-473X	MG RESISTOR	47kΩ 1/16W J		R802	NRSA63J-473X	MG RESISTOR	47kΩ 1/16W J	
R369	NRSA63J-473X	MG RESISTOR	47kΩ 1/16W J		R803	NRSA63J-101X	MG RESISTOR	100Ω 1/16W J	
R370	NRSA63J-102X	MG RESISTOR	1kΩ 1/16W J		R804	NRSA63J-223X	MG RESISTOR	22kΩ 1/16W J	
R371	NRSA63J-102X	MG RESISTOR	1kΩ 1/16W J		R805	NRSA63J-104X	MG RESISTOR	100kΩ 1/16W J	
R381	NRSA63J-333X	MG RESISTOR	33kΩ 1/16W J		R806	NRSA63J-103X	MG RESISTOR	10kΩ 1/16W J	
R382	NRSA63J-223X	MG RESISTOR	22kΩ 1/16W J		R807	NRSA63J-104X	MG RESISTOR	100kΩ 1/16W J	
R383	NRSA63J-223X	MG RESISTOR	22kΩ 1/16W J		R808	NRSA63J-331X	MG RESISTOR	330Ω 1/16W J	
R385	NRSA63J-333X	MG RESISTOR	33kΩ 1/16W J		R809	NRSA63J-223X	MG RESISTOR	22kΩ 1/16W J	
R386	NRSA63J-104X	MG RESISTOR	100kΩ 1/16W J		R810	NRSA63J-101X	MG RESISTOR	100Ω 1/16W J	
R387	NRSA63J-104X	MG RESISTOR	100kΩ 1/16W J		R841	NRSA63J-332X	MG RESISTOR	3.3kΩ 1/16W J	
R388	NRSA63J-473X	MG RESISTOR	47kΩ 1/16W J		R881	NRSA63J-473X	MG RESISTOR	47kΩ 1/16W J	
R389	NRSA63J-473X	MG RESISTOR	47kΩ 1/16W J		R882	NRSA63J-472X	MG RESISTOR	4.7kΩ 1/16W J	
R390	NRSA63J-102X	MG RESISTOR	1kΩ 1/16W J		R901	QRE142J-102X	C RESISTOR	1kΩ 1/4W J	
R391	NRSA63J-102X	MG RESISTOR	1kΩ 1/16W J		R902	NRSA02J-912X	MG RESISTOR	9.1kΩ 1/10W J	
R701	NRSA63J-473X	MG RESISTOR	47kΩ 1/16W J		R903	NRSA02J-472X	MG RESISTOR	4.7kΩ 1/10W J	
					R951	NRSA63J-102X	MG RESISTOR	1kΩ 1/16W J	



△ Symbol No.	Part No.	Part Name	Description	Local	△ Symbol No.	Part No.	Part Name	Description	Local
R971	NRS181J-222X	MG RESISTOR	2.2kΩ 1/8W J		D641	NSPW310BS/BRS/	LED		
R972	NRS181J-222X	MG RESISTOR	2.2kΩ 1/8W J		D642	NSPW310BS/BRS/	LED		
R976	NRSA02J-273X	MG RESISTOR	27kΩ 1/10W J		D643	NSPW310BS/BRS/	LED		
R977	NRSA02J-123X	MG RESISTOR	12kΩ 1/10W J		D650	UDZS9.1B-X	Z DIODE		
L1	NQL114M-4R7X	COIL	4.7uH M		D651	UDZS5.1B-X	Z DIODE		
L701	NQL114M-4R7X	COIL	4.7uH M		D652	1SS355-X	SI DIODE		
L901	QQR1378-002	CHOKE COIL			D653	1SS355-X	SI DIODE		
BZ841	QAN0023-001Z	BUZZER			D654	1SS355-X	SI DIODE		
CN101	QGB2027M4-22S	CONNECTOR	B-B (1-22)		D655	1SS355-X	SI DIODE		
CN161	QGA2006C1-04	CONNECTOR	W-B (1-4)	AR80 0J	D656	1SS355-X	SI DIODE		
CN251	QGA2501C1-03	CONNECTOR	W-B (1-3)		D657	1SS355-X	SI DIODE		
CN702	QGF1041C1-16W	CONNECTOR	FFC/FPC (1-16)		D658	1SS355-X	SI DIODE		
CN901	QNZ0611-001	16P CONNECTOR			D680	UDZS5.6B-X	Z DIODE	1.5kΩ	1/10W J
CN951	QGA2501F1-02	CONNECTOR	W-B (1-2)		C601	NBE20JM-475X	TA E CAPACITOR	4.7uF 6.3V M	
CN952	QJB005-040909	SIN ID C-B WIRE			C602	NCS31HJ-681X	C CAPACITOR	680pF 50V J	
J1	QAM0556-001	ANT CABLE			C603	NCB31CK-104X	C CAPACITOR	0.1uF 16V K	
J321	QNN0490-001	PIN JACK		AR80 0J	C604	NCB31CK-104X	C CAPACITOR	0.1uF 16V K	
J321	QNN0489-001	PIN JACK		G800J	C605	NCB31CK-104X	C CAPACITOR	0.1uF 16V K	
J801	QNZ0095-001	CONNECTOR			C608	NCB31HK-103X	C CAPACITOR	0.01uF 50V K	
PP1	QZW0010-001	STYLE PIN			C609	NCB31HK-103X	C CAPACITOR	0.01uF 50V K	
PP5	QZW0010-001	STYLE PIN			C610	NBE21CM-475X	TA E CAPACITOR	4.7uF 16V M	
TU1	QAU0312-001	TUNER			C611	NCB31CK-104X	C CAPACITOR	0.1uF 16V K	
X31	QAX0616-001Z	CRYSTAL	10.250MHz		C612	NBE20JM-475X	TA E CAPACITOR	4.7uF 6.3V M	
X701	QAX0617-001Z	CRYSTAL	12.500MHz		C680	NBE20JM-475X	TA E CAPACITOR	4.7uF 6.3V M	
X702	QAX0401-001	CRYSTAL	32.768KHz		R601	NRSA63J-821X	MG RESISTOR	820Ω	1/16W J

## Front board

Block No. [0][2][0][0]

△ Symbol No.	Part No.	Part Name	Description	Local
IC601	LC75878W	IC		
IC602	RPM7338-V4	REMOCON RCV		
Q641	2SB624/4/-X	TRANSISTOR		
Q643	UN2211-X	TRANSISTOR		
Q644	UN2211-X	TRANSISTOR		
D601	SML-310LT/MN/-X	LED		
D602	SML-310VT/JK/-X	LED		
D603	SML-310VT/JK/-X	LED		
D604	SML-310VT/JK/-X	LED		
D605	SML-310VT/JK/-X	LED		
D606	SML-310VT/JK/-X	LED		
D607	SML-310VT/JK/-X	LED		
D608	SML-310VT/JK/-X	LED		
D609	SML-310VT/JK/-X	LED		
D610	SML-310VT/JK/-X	LED		
D611	SML-310VT/JK/-X	LED		
D612	SML-310VT/JK/-X	LED		
D613	SML-310VT/JK/-X	LED		
D614	SML-310VT/JK/-X	LED		
D616	SML-310LT/MN/-X	LED		AR80 0J
D616	SML-310VT/JK/-X	LED		G800J
D617	SML-310VT/JK/-X	LED		
D618	SML-310VT/JK/-X	LED		
D620	SML-310LT/MN/-X	LED		AR80 0J
D620	SML-310VT/JK/-X	LED		G800J
D621	SML-310LT/MN/-X	LED		AR80 0J
D621	SML-310VT/JK/-X	LED		G800J
D622	SML-310VT/JK/-X	LED		
D623	SML-310VT/JK/-X	LED		
D624	SML-A12BC2T-X	BLUELED		
D625	SML-A12BC2T-X	BLUELED		
D631	1SS355-X	SI DIODE		AR80 0J
D632	1SS355-X	SI DIODE		AR80 0J
R602	NRSA63J-821X	MG RESISTOR	820Ω	1/16W J
R603	NRSA63J-122X	MG RESISTOR	1.2kΩ	1/16W J
R604	NRSA63J-182X	MG RESISTOR	1.8kΩ	1/16W J
R605	NRSA63J-821X	MG RESISTOR	820Ω	1/16W J
R606	NRSA63J-821X	MG RESISTOR	820Ω	1/16W J
R607	NRSA63J-122X	MG RESISTOR	1.2kΩ	1/16W J
R608	NRSA63J-182X	MG RESISTOR	1.8kΩ	1/16W J
R609	NRSA63J-272X	MG RESISTOR	2.7kΩ	1/16W J
R610	NRSA63J-392X	MG RESISTOR	3.9kΩ	1/16W J
R611	NRSA63J-103X	MG RESISTOR	10kΩ	1/16W J
R612	NRSA63J-821X	MG RESISTOR	820Ω	1/16W J
R613	NRSA63J-821X	MG RESISTOR	820Ω	1/16W J
R614	NRSA63J-122X	MG RESISTOR	1.2kΩ	1/16W J
R615	NRSA63J-182X	MG RESISTOR	1.8kΩ	1/16W J
R622	NRSA63J-0R0X	MG RESISTOR	0Ω	1/16W J
R624	NRSA02J-821X	MG RESISTOR	820Ω	1/10W J
R625	NRSA02J-561X	MG RESISTOR	560Ω	1/10W J
R628	NRSA02J-821X	MG RESISTOR	820Ω	1/10W J
R630	NRSA02J-561X	MG RESISTOR	560Ω	1/10W J
R632	NRSA02J-561X	MG RESISTOR	560Ω	1/10W J
R633	NRSA02J-561X	MG RESISTOR	560Ω	1/10W J
R636	NRSA02J-561X	MG RESISTOR	560Ω	1/10W J
R638	NRSA02J-561X	MG RESISTOR	560Ω	1/10W J
R639	NRSA02J-821X	MG RESISTOR	820Ω	1/10W J
R642	NRSA02J-821X	MG RESISTOR	820Ω	1/10W J
R644	NRSA02J-561X	MG RESISTOR	560Ω	1/10W J
R645	NRSA02J-821X	MG RESISTOR	820Ω	1/10W J
R647	NRSA02J-561X	MG RESISTOR	560Ω	1/10W J
R649	NRSA02J-561X	MG RESISTOR	560Ω	1/10W J
R651	NRSA02J-621X	MG RESISTOR	620Ω	1/10W J
R654	NRSA02J-621X	MG RESISTOR	620Ω	1/10W J
R655	NRS181J-431X	MG RESISTOR	430Ω	1/8W J
R656	NRS181J-431X	MG RESISTOR	430Ω	1/8W J
R657	NRS181J-431X	MG RESISTOR	430Ω	1/8W J
R658	NRS181J-471X	MG RESISTOR	470Ω	1/8W J
R659	NRS181J-473X	MG RESISTOR	47kΩ	1/8W J
R660	NRS181J-102X	MG RESISTOR	1kΩ	1/8W J
R661	NRSA63J-0R0X	MG RESISTOR	0Ω	1/16W J
R665	NRSA63J-0R0X	MG RESISTOR	0Ω	1/16W J
R666	NRSA63J-473X	MG RESISTOR	47kΩ	1/16W J
R667	NRSA63J-473X	MG RESISTOR	47kΩ	1/16W J
R668	NRS181J-102X	MG RESISTOR	1kΩ	1/8W J
R669	NRSA63J-221X	MG RESISTOR	220Ω	1/16W J
R670	NRSA63J-394X	MG RESISTOR	390kΩ	1/16W J
R671	NRSA63J-103X	MG RESISTOR	10kΩ	1/16W J
R672	NRSA63J-103X	MG RESISTOR	10kΩ	1/16W J
R673	NRSA63J-103X	MG RESISTOR	10kΩ	1/16W J
R674	NRSA63J-103X	MG RESISTOR	10kΩ	1/16W J
R675	NRSA63J-823X	MG RESISTOR	82kΩ	1/16W J
R676	NRSA63J-332X	MG RESISTOR	3.3kΩ	1/16W J
R677	NRSA63J-332X	MG RESISTOR	3.3kΩ	1/16W J

△ Symbol No.	Part No.	Part Name	Description	Local	△ Symbol No.	Part No.	Part Name	Description	Local
R678	NRSA63J-332X	MG RESISTOR	3.3kΩ 1/16W J		C513	NCB31HK-103X	C CAPACITOR	0.01uF 50V K	
R679	NRSA63J-151X	MG RESISTOR	150Ω 1/16W J		C514	NCS31HJ-102X	C CAPACITOR	1000pF 50V J	
R680	NRSA63J-103X	MG RESISTOR	10kΩ 1/16W J		C551	NCB31HK-103X	C CAPACITOR	0.01uF 50V K	
R681	NRSA63J-471X	MG RESISTOR	470Ω 1/16W J		C571	NDC31HJ-270X	C CAPACITOR	27pF 50V J	
R685	NRSA63J-103X	MG RESISTOR	10kΩ 1/16W J		C572	NDC31HJ-270X	C CAPACITOR	27pF 50V J	
R690	NRSA63J-0R0X	MG RESISTOR	0Ω 1/16W J		C573	NCB31CK-104X	C CAPACITOR	0.1uF 16V K	
CN601	NNZ0098-001X	CAR CONNECTOR			C574	NEAD0JM-476X	E CAPACITOR	47uF 6.3V M	
JS601	QSW0793-001	ROTARY ENCODER			C575	NEAD0JM-476X	E CAPACITOR	47uF 6.3V M	
S601	NSW0124-001X	TACT SW			C576	NCB31CK-104X	C CAPACITOR	0.1uF 16V K	
S602	NSW0124-001X	TACT SW			C577	NCB31CK-104X	C CAPACITOR	0.1uF 16V K	
S603	NSW0124-001X	TACT SW			C578	NEAD0JM-476X	E CAPACITOR	47uF 6.3V M	
S605	NSW0124-001X	TACT SW			C581	NDC31HJ-101X	C CAPACITOR	100pF 50V J	
S606	NSW0124-001X	TACT SW			C582	NDC31HJ-101X	C CAPACITOR	100pF 50V J	
S607	NSW0124-001X	TACT SW			C583	NCS31HJ-821X	C CAPACITOR	820pF 50V J	
S608	NSW0124-001X	TACT SW			C584	NCS31HJ-821X	C CAPACITOR	820pF 50V J	
S609	NSW0124-001X	TACT SW			C585	NEAD1VM-475X	E CAPACITOR	4.7uF 35V M	
S610	NSW0124-001X	TACT SW			C586	NEAD1VM-475X	E CAPACITOR	4.7uF 35V M	
S611	NSW0124-001X	TACT SW			C587	NDC31HJ-121X	C CAPACITOR	120pF 50V J	
S612	NSW0124-001X	TACT SW			C588	NDC31HJ-121X	C CAPACITOR	120pF 50V J	
S613	NSW0124-001X	TACT SW			C589	NEAD1VM-475X	E CAPACITOR	4.7uF 35V M	
S614	NSW0124-001X	TACT SW			C590	NEAD1VM-475X	E CAPACITOR	4.7uF 35V M	
S615	NSW0124-001X	TACT SW			C591	NEAD0JM-476X	E CAPACITOR	47uF 6.3V M	
S616	NSW0124-001X	TACT SW			C592	NEAD0JM-476X	E CAPACITOR	47uF 6.3V M	
S617	NSW0124-001X	TACT SW			C593	NEAD1CM-476X	E CAPACITOR	47uF 16V M	
S690	NSW0124-001X	TACT SW			C594	NCS31HJ-102X	C CAPACITOR	1000pF 50V J	
SD601	NSW0218-001X	LUMISWITCH			C595	NCB31CK-473X	C CAPACITOR	0.047uF 16V K	
SD602	NSW0218-001X	LUMISWITCH			C596	NDC31HJ-101X	C CAPACITOR	100pF 50V J	
TH685	NAD0022-103X	N THERMISTOR	10kΩ 10mW F		C597	NCS31HJ-102X	C CAPACITOR	1000pF 50V J	

## CD mecha control board

Block No. [0][3][0][0]

△ Symbol No.	Part No.	Part Name	Description	Local	△ Symbol No.	Part No.	Part Name	Description	Local
IC501	TMP91CW12AF5DG8	IC			C601	NEAD0JM-476X	E CAPACITOR	47uF 6.3V M	
IC502	BR24L01AFV-W-X	IC			C602	NCB31HK-103X	C CAPACITOR	0.01uF 50V K	
IC503	SN74AHCT126PW-X	IC(DIGITAL)			C603	NEAD0JM-107X	E CAPACITOR	100uF 6.3V M	
IC504	NJU7241F33-X	IC			C604	NCB31HK-103X	C CAPACITOR	0.01uF 50V K	
IC571	PCM1748KE-X	IC			C605	NCB31HK-682X	C CAPACITOR	6800pF 50V K	
IC572	NJM4565V-X	IC			C606	NEAD0JM-476X	E CAPACITOR	47uF 6.3V M	
IC573	SN74AHCU04PW-X	IC			C607	NCB31HK-103X	C CAPACITOR	0.01uF 50V K	
IC601	TA2157FN-X	RF AMP IC			C608	NCB31CK-104X	C CAPACITOR	0.1uF 16V K	
IC621	TC94A14FA	CD LSI IC			C609	NCB31CK-104X	C CAPACITOR	0.1uF 16V K	
IC651	NJU772F15-X	IC			C610	NDC31HJ-5R0X	C CAPACITOR	5pF 50V J	
IC652	TC94A34FG-002	IC			C611	NDC31HJ-680X	C CAPACITOR	68pF 50V J	
IC681	BA5830FP-X	IC			C612	NCB31HK-103X	C CAPACITOR	0.01uF 50V K	
Q501	UN2111-X	TRANSISTOR			C613	NCB31HK-103X	C CAPACITOR	0.01uF 50V K	
Q502	UN2211-X	TRANSISTOR			C614	NCB31HK-103X	C CAPACITOR	0.01uF 50V K	
Q571	UN2111-X	TRANSISTOR			C616	NBE20JM-106X	TA E CAPACITOR	10uF 6.3V M	
Q572	UN2211-X	TRANSISTOR			C621	NCB31HK-103X	C CAPACITOR	0.01uF 50V K	
Q573	2SB624/4/-X	TRANSISTOR			C622	NEAD0JM-476X	E CAPACITOR	47uF 6.3V M	
Q574	UN2211-X	TRANSISTOR			C623	NDC31HJ-470X	C CAPACITOR	47pF 50V J	
Q601	2SB1132/QR/-W	TRANSISTOR			C624	NCB31HK-153X	C CAPACITOR	0.015uF 50V K	
Q651	2SB624/4/-X	TRANSISTOR			C625	NCB31HK-103X	C CAPACITOR	0.01uF 50V K	
Q652	UN2211-X	TRANSISTOR			C626	NCB31HK-272X	C CAPACITOR	2700pF 50V K	
Q681	2SB1184/QR/-X	TRANSISTOR			C627	NCB31HK-103X	C CAPACITOR	0.01uF 50V K	
D506	MA111-X	SI DIODE			C628	NEAD0JM-476X	E CAPACITOR	47uF 6.3V M	
D682	1SR154-400-X	DIODE			C629	NCB31EK-333X	C CAPACITOR	0.033uF 25V K	
C501	NCB31HK-103X	C CAPACITOR	0.01uF 50V K		C630	NCB31EK-333X	C CAPACITOR	0.033uF 25V K	
C502	NCB31HK-103X	C CAPACITOR	0.01uF 50V K		C631	NDC31HJ-471X	C CAPACITOR	470pF 50V J	
C503	NEAD0JM-107X	E CAPACITOR	100uF 6.3V M		C632	NDC31HJ-471X	C CAPACITOR	470pF 50V J	
C504	NDC31HJ-220X	C CAPACITOR	22pF 50V J		C633	NCB31CK-473X	C CAPACITOR	0.047uF 16V K	
C505	NDC31HJ-220X	C CAPACITOR	22pF 50V J		C634	NCB31CK-473X	C CAPACITOR	0.047uF 16V K	
C506	NCB31HK-103X	C CAPACITOR	0.01uF 50V K		C635	NCB31CK-473X	C CAPACITOR	0.047uF 16V K	
C507	NCB31HK-103X	C CAPACITOR	0.01uF 50V K		C636	NCB31CK-473X	C CAPACITOR	0.047uF 16V K	
C508	NCB31HK-103X	C CAPACITOR	0.01uF 50V K		C637	NCB31CK-473X	C CAPACITOR	0.047uF 16V K	
C509	NCB31HK-103X	C CAPACITOR	0.01uF 50V K		C638	NCB31HK-103X	C CAPACITOR	0.01uF 50V K	
C510	NCB31HK-103X	C CAPACITOR	0.01uF 50V K		C639	NEAD0JM-476X	E CAPACITOR	47uF 6.3V M	
C511	NCB31CK-104X	C CAPACITOR	0.1uF 16V K		C640	NCB31HK-103X	C CAPACITOR	0.01uF 50V K	
C512	NEAD0JM-107X	E CAPACITOR	100uF 6.3V M		C641	NEAD0JM-476X	E CAPACITOR	47uF 6.3V M	
					C642	NDC31HJ-101X	C CAPACITOR	100pF 50V J	
					C643	NCB31HK-103X	C CAPACITOR	0.01uF 50V K	
					C644	NCB31AK-334X	C CAPACITOR	0.33uF 10V K	
					C645	NEAD0JM-476X	E CAPACITOR	47uF 6.3V M	
					C646	NCB31HK-103X	C CAPACITOR	0.01uF 50V K	
					C651	NEAD0JM-476X	E CAPACITOR	47uF 6.3V M	
					C652	NCB31HK-103X	C CAPACITOR	0.01uF 50V K	
					C653	NEAD0JM-476X	E CAPACITOR	47uF 6.3V M	
					C654	NCB31CK-104X	C CAPACITOR	0.1uF 16V K	
					C655	NCB31HK-103X	C CAPACITOR	0.01uF 50V K	
					C656	NCB31CK-104X	C CAPACITOR	0.1uF 16V K	
					C659	NCB31CK-104X	C CAPACITOR	0.1uF 16V K	
					C660	NDC31HJ-101X	C CAPACITOR	100pF 50V J	

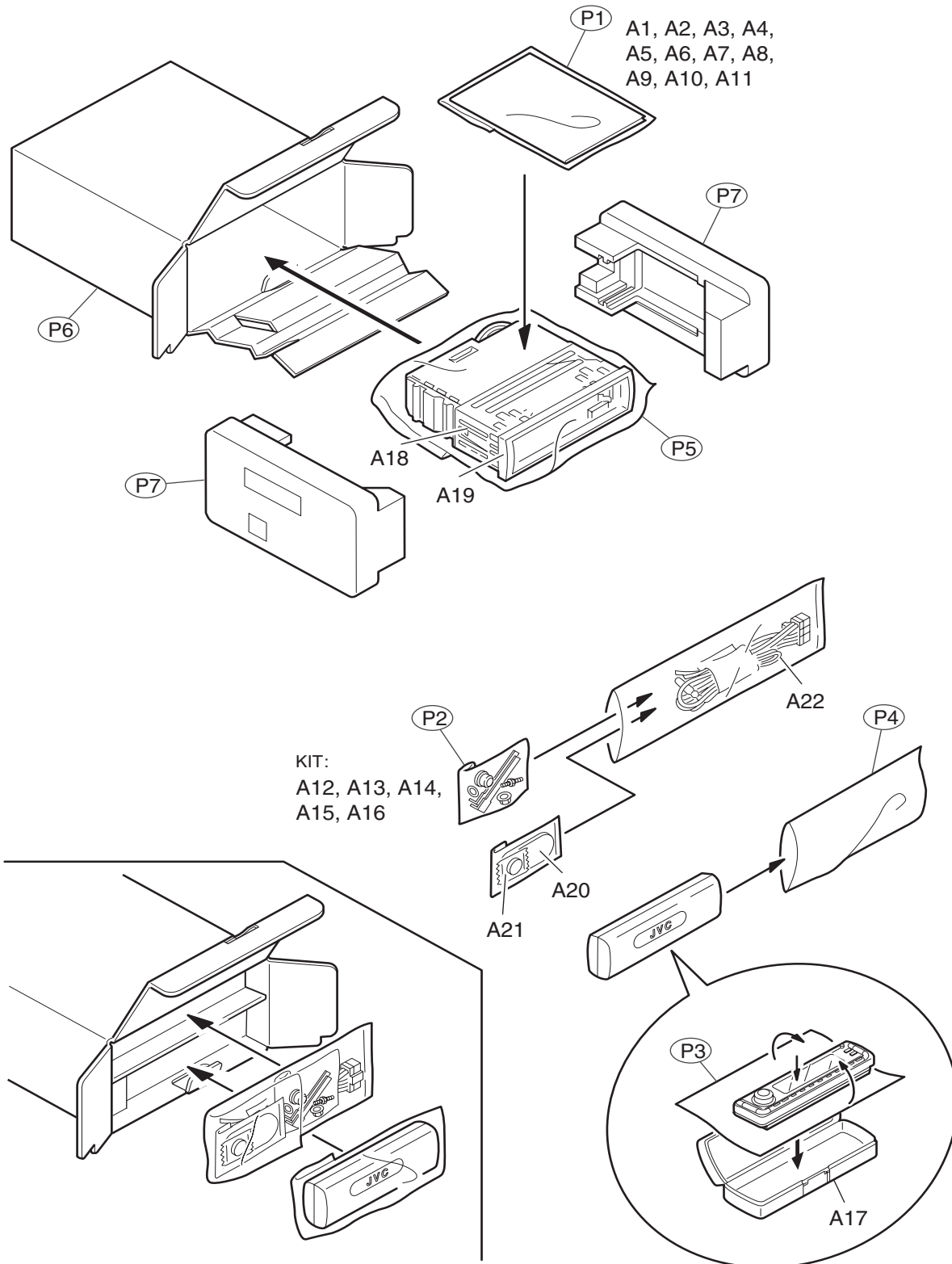
△ Symbol No.	Part No.	Part Name	Description	Local	△ Symbol No.	Part No.	Part Name	Description	Local
C661	NCB31HK-103X	C CAPACITOR	0.01uF 50V K		R572	NRSA63J-225X	MG RESISTOR	2.2MΩ 1/16W J	
C662	NDC31HJ-101X	C CAPACITOR	100pF 50V J		R573	NRSA63J-102X	MG RESISTOR	1kΩ 1/16W J	
C663	NBE20JM-106X	TA E CAPACITOR	10uF 6.3V M		R574	NRSA63J-470X	MG RESISTOR	47Ω 1/16W J	
C664	NCB31HK-222X	C CAPACITOR	2200pF 50V K		R575	NRSA63J-102X	MG RESISTOR	1kΩ 1/16W J	
C665	NCB31CK-104X	C CAPACITOR	0.1uF 16V K		R576	NRSA63J-102X	MG RESISTOR	1kΩ 1/16W J	
C666	NDC31HJ-101X	C CAPACITOR	100pF 50V J		R577	NRSA63J-101X	MG RESISTOR	100Ω 1/16W J	
C667	NCB31HK-103X	C CAPACITOR	0.01uF 50V K		R578	NRSA63J-473X	MG RESISTOR	47kΩ 1/16W J	
C668	NEAD0JM-476X	E CAPACITOR	47uF 6.3V M		R579	NRSA63J-222X	MG RESISTOR	2.2kΩ 1/16W J	
C669	NCB31HK-103X	C CAPACITOR	0.01uF 50V K		R581	NRSA63J-203X	MG RESISTOR	20kΩ 1/16W J	
C682	NEAD1VM-475X	E CAPACITOR	4.7uF 35V M		R582	NRSA63J-203X	MG RESISTOR	20kΩ 1/16W J	
C683	NCB31CK-104X	C CAPACITOR	0.1uF 16V K		R583	NRSA63J-123X	MG RESISTOR	12kΩ 1/16W J	
C684	NEAD1CM-476X	E CAPACITOR	47uF 16V M		R584	NRSA63J-123X	MG RESISTOR	12kΩ 1/16W J	
C689	NEAD1CM-476X	E CAPACITOR	47uF 16V M		R585	NRSA63J-303X	MG RESISTOR	30kΩ 1/16W J	
C690	NBE20JM-106X	TA E CAPACITOR	10uF 6.3V M		R586	NRSA63J-303X	MG RESISTOR	30kΩ 1/16W J	
C693	NEAD1CM-476X	E CAPACITOR	47uF 16V M		R587	NRSA63J-473X	MG RESISTOR	47kΩ 1/16W J	
					R588	NRSA63J-473X	MG RESISTOR	47kΩ 1/16W J	
R501	NRSA63J-102X	MG RESISTOR	1kΩ 1/16W J		R589	NRSA63J-103X	MG RESISTOR	10kΩ 1/16W J	
R502	NRSA63J-102X	MG RESISTOR	1kΩ 1/16W J		R590	NRSA63J-103X	MG RESISTOR	10kΩ 1/16W J	
R503	NRSA63J-102X	MG RESISTOR	1kΩ 1/16W J		R591	NRSA63J-103X	MG RESISTOR	10kΩ 1/16W J	
R504	NRSA63J-101X	MG RESISTOR	100Ω 1/16W J		R592	NRSA63J-103X	MG RESISTOR	10kΩ 1/16W J	
R505	NRSA63J-101X	MG RESISTOR	100Ω 1/16W J		R593	NRSA63J-4R7X	MG RESISTOR	4.7Ω 1/16W J	
R506	NRSA63J-473X	MG RESISTOR	47kΩ 1/16W J		R601	NRSA63J-823X	MG RESISTOR	82kΩ 1/16W J	
R507	NRSA63J-473X	MG RESISTOR	47kΩ 1/16W J		R602	NRSA63J-823X	MG RESISTOR	82kΩ 1/16W J	
R508	NRSA63J-473X	MG RESISTOR	47kΩ 1/16W J		R603	NRSA63J-334X	MG RESISTOR	330kΩ 1/16W J	
R509	NRSA63J-473X	MG RESISTOR	47kΩ 1/16W J		R604	NRSA63J-334X	MG RESISTOR	330kΩ 1/16W J	
R510	NRSA63J-101X	MG RESISTOR	100Ω 1/16W J		R605	NRSA63J-220X	MG RESISTOR	22Ω 1/16W J	
R511	NRSA63J-102X	MG RESISTOR	1kΩ 1/16W J		R606	NRSA63J-220X	MG RESISTOR	22Ω 1/16W J	
R512	NRSA63J-473X	MG RESISTOR	47kΩ 1/16W J		R607	NRSA63J-823X	MG RESISTOR	82kΩ 1/16W J	
R513	NRSA63J-102X	MG RESISTOR	1kΩ 1/16W J		R608	NRSA63J-821X	MG RESISTOR	820Ω 1/16W J	
R514	NRSA63J-473X	MG RESISTOR	47kΩ 1/16W J		R609	NRSA63J-563X	MG RESISTOR	56kΩ 1/16W J	
R515	NRSA63J-473X	MG RESISTOR	47kΩ 1/16W J		R610	NRSA63J-101X	MG RESISTOR	100Ω 1/16W J	
R516	NRSA63J-102X	MG RESISTOR	1kΩ 1/16W J		R611	NRSA63J-103X	MG RESISTOR	10kΩ 1/16W J	
R517	NRSA63J-101X	MG RESISTOR	100Ω 1/16W J		R612	NRSA63J-202X	MG RESISTOR	2kΩ 1/16W J	
R518	NRSA63J-101X	MG RESISTOR	100Ω 1/16W J		R613	NRSA63J-102X	MG RESISTOR	1kΩ 1/16W J	
R519	NRSA63J-101X	MG RESISTOR	100Ω 1/16W J		R614	NRSA63J-153X	MG RESISTOR	15kΩ 1/16W J	
R520	NRSA63J-101X	MG RESISTOR	100Ω 1/16W J		R615	NRSA63J-151X	MG RESISTOR	150Ω 1/16W J	
R521	NRSA63J-101X	MG RESISTOR	100Ω 1/16W J		R616	NRSA63J-103X	MG RESISTOR	10kΩ 1/16W J	
R522	NRSA63J-101X	MG RESISTOR	100Ω 1/16W J		R621	NRSA63J-470X	MG RESISTOR	47Ω 1/16W J	
R523	NRSA63J-101X	MG RESISTOR	100Ω 1/16W J		R622	NRSA63J-470X	MG RESISTOR	47Ω 1/16W J	
R525	NRSA63J-104X	MG RESISTOR	100kΩ 1/16W J		R623	NRSA63J-470X	MG RESISTOR	47Ω 1/16W J	
R526	NRSA63J-473X	MG RESISTOR	47kΩ 1/16W J		R624	NRSA63J-562X	MG RESISTOR	5.6kΩ 1/16W J	
R528	NRSA63J-473X	MG RESISTOR	47kΩ 1/16W J		R625	NRSA63J-473X	MG RESISTOR	47kΩ 1/16W J	
R530	NRSA63J-473X	MG RESISTOR	47kΩ 1/16W J		R626	NRSA63J-474X	MG RESISTOR	470kΩ 1/16W J	
R531	NRSA63J-473X	MG RESISTOR	47kΩ 1/16W J		R627	NRSA63J-153X	MG RESISTOR	15kΩ 1/16W J	
R532	NRSA63J-102X	MG RESISTOR	1kΩ 1/16W J		R628	NRSA63J-155X	MG RESISTOR	1.5MΩ 1/16W J	
R533	NRSA63J-101X	MG RESISTOR	100Ω 1/16W J		R629	NRSA63J-103X	MG RESISTOR	10kΩ 1/16W J	
R534	NRSA63J-101X	MG RESISTOR	100Ω 1/16W J		R630	NRSA63J-101X	MG RESISTOR	100Ω 1/16W J	
R535	NRSA63J-101X	MG RESISTOR	100Ω 1/16W J		R631	NRSA63J-101X	MG RESISTOR	100Ω 1/16W J	
R536	NRSA63J-101X	MG RESISTOR	100Ω 1/16W J		R632	NRSA63J-0R0X	MG RESISTOR	0Ω 1/16W J	
R537	NRSA63J-101X	MG RESISTOR	100Ω 1/16W J		R633	NRSA63J-0R0X	MG RESISTOR	0Ω 1/16W J	
R539	NRSA63J-473X	MG RESISTOR	47kΩ 1/16W J		R634	NRSA63J-0R0X	MG RESISTOR	0Ω 1/16W J	
R540	NRSA63J-473X	MG RESISTOR	47kΩ 1/16W J		R635	NRSA63J-101X	MG RESISTOR	100Ω 1/16W J	
R541	NRSA63J-101X	MG RESISTOR	100Ω 1/16W J		R636	NRSA63J-101X	MG RESISTOR	100Ω 1/16W J	
R542	NRSA63J-103X	MG RESISTOR	10kΩ 1/16W J		R637	NRSA63J-105X	MG RESISTOR	1MΩ 1/16W J	
R543	NRSA63J-101X	MG RESISTOR	100Ω 1/16W J		R638	NRSA63J-472X	MG RESISTOR	4.7kΩ 1/16W J	
R544	NRSA63J-101X	MG RESISTOR	100Ω 1/16W J		R639	NRSA63J-472X	MG RESISTOR	4.7kΩ 1/16W J	
R545	NRSA63J-103X	MG RESISTOR	10kΩ 1/16W J		R640	NRSA63J-472X	MG RESISTOR	4.7kΩ 1/16W J	
R546	NRSA63J-271X	MG RESISTOR	270Ω 1/16W J		R641	NRSA63J-472X	MG RESISTOR	4.7kΩ 1/16W J	
R547	NRSA63J-271X	MG RESISTOR	270Ω 1/16W J		R642	NRSA63J-103X	MG RESISTOR	10kΩ 1/16W J	
R548	NRSA63J-822X	MG RESISTOR	8.2kΩ 1/16W J		R651	NRSA63J-104X	MG RESISTOR	100kΩ 1/16W J	
R549	NRSA63J-472X	MG RESISTOR	4.7kΩ 1/16W J		R654	NRSA63J-470X	MG RESISTOR	47Ω 1/16W J	
R550	NRSA63J-472X	MG RESISTOR	4.7kΩ 1/16W J		R655	NRSA63J-103X	MG RESISTOR	10kΩ 1/16W J	
R551	NRSA63J-104X	MG RESISTOR	100kΩ 1/16W J		R656	NRSA63J-473X	MG RESISTOR	47kΩ 1/16W J	
R552	NRSA63J-104X	MG RESISTOR	100kΩ 1/16W J		R657	NRSA63J-222X	MG RESISTOR	2.2kΩ 1/16W J	
R553	NRSA63J-183X	MG RESISTOR	18kΩ 1/16W J		R668	NRSA63J-470X	MG RESISTOR	47Ω 1/16W J	
R554	NRSA63J-333X	MG RESISTOR	33kΩ 1/16W J		R675	NRSA63J-221X	MG RESISTOR	220Ω 1/16W J	
R555	NRSA63J-101X	MG RESISTOR	100Ω 1/16W J		R681	NRSA63J-682X	MG RESISTOR	6.8kΩ 1/16W J	
R556	NRSA63J-0R0X	MG RESISTOR	0Ω 1/16W J		R682	NRSA63J-222X	MG RESISTOR	2.2kΩ 1/16W J	
R557	NRSA63J-104X	MG RESISTOR	100kΩ 1/16W J		R683	NRSA63J-682X	MG RESISTOR	6.8kΩ 1/16W J	
R558	NRSA63J-104X	MG RESISTOR	100kΩ 1/16W J		R684	NRSA63J-822X	MG RESISTOR	8.2kΩ 1/16W J	
R559	NRSA63J-0R0X	MG RESISTOR	0Ω 1/16W J		R685	NRSA63J-682X	MG RESISTOR	6.8kΩ 1/16W J	
R560	NRSA63J-101X	MG RESISTOR	100Ω 1/16W J		R686	NRSA63J-123X	MG RESISTOR	12kΩ 1/16W J	
R561	NRSA63J-104X	MG RESISTOR	100kΩ 1/16W J		R687	NRSA63J-682X	MG RESISTOR	6.8kΩ 1/16W J	
R562	NRSA63J-392X	MG RESISTOR	3.9kΩ 1/16W J		R688	NRSA63J-182X	MG RESISTOR	1.8kΩ 1/16W J	
R563	NRSA63J-682X	MG RESISTOR	6.8kΩ 1/16W J		R689	NRSA63J-123X	MG RESISTOR	12kΩ 1/16W J	
R568	NRSA63J-102X	MG RESISTOR	1kΩ 1/16W J		R690	NRSA63J-333X	MG RESISTOR	33kΩ 1/16W J	
R569	NRSA63J-102X	MG RESISTOR	1kΩ 1/16W J		R691	NRSA63J-153X	MG RESISTOR	15kΩ 1/16W J	
R570	NRSA63J-102X	MG RESISTOR	1kΩ 1/16W J						

Symbol No.	Part No.	Part Name	Description	Local
L501	NQL114K-470X	INDUCITOR	47uH K	
L502	NQL114K-470X	INDUCITOR	47uH K	
L571	NQL114K-470X	INDUCITOR	47uH K	
L572	NQL114K-470X	INDUCITOR	47uH K	
L621	NQL114K-470X	INDUCITOR	47uH K	
L622	NQL114K-470X	INDUCITOR	47uH K	
L623	NQL114K-470X	INDUCITOR	47uH K	
L651	NQL114K-470X	INDUCITOR	47uH K	
L652	NQL114K-470X	INDUCITOR	47uH K	
L653	NQL114K-470X	INDUCITOR	47uH K	
CN501	QGB2027L1-22X	CONNECTOR	B-B (1-22)	
CN601	QGF0527F2-22W	CONNECTOR	FFC/FPC (1-22)	
TH501	NAD0028-103X	N THERMISTOR	10kΩ	
X501	NAX0385-001X	CRYSTAL	24.576MHz	
X571	NAX0375-001X	CRYSTAL	16.9344MHz	

<MEMO>

# Packing materials and accessories parts list

Block No. **M** **3** **M** **M**



# Packing and Accessories

Block No. [M][3][M][M]

△ Symbol No.	Part No.	Part Name	Description	Local
A 1	GET0197-001A	INST BOOK	ENG SPA FRE	
A 2	GET0197-002A	INSTALL MANUAL		
A 3	GET0206-001A	IMPORTANT SHEET		
A 4	GET0210-001A	DEMO MODE SHEET		
A 5	BT-51029-1	WARRANTY CARD		AR80 0J
A 5	BT-51018-3	WARRANTY CARD		G800J
A 6	BT-52006-2	WARRANTY CARD		
A 7	BT-51034-1	J=REGIST CARD		
A 8	LVT1120-001A	MP3 GUIDE		
A 9	LVT0717-001B	TROUBLE SHEET(C		
A 10	LVT1122-001A	SIRIUS SHEET		
A 11	GET0213-001A	CAUTION SHEET		
A 12	VKZ4027-202	PLUG NUT		
A 13	VKH4871-001SS	MOUNT BOLT		
A 14	VKZ4328-001	LOCK NUT		
A 15	WNS5000Z	WASHER		
A 16	GE40130-002A	HOOK	(x2)	
A 17	FSJB3002-00C	HARD CASE		
A 18	GE20137-003A	MOUNTING SLEEVE		
A 19	GE20164-002A	TRIM PLATE		AR80 0J
A 19	GE20164-003A	TRIM PLATE		G800J
A 20	RM-RK50	REMOCON UNIT		
A 21	-----	BATTERY		
A 22	QAM0306-001	16P CORD ASSY		
KIT	SRW-200J	SCREW PARTS KIT	A12 A13 A14 A15 A16	
P 1	FSPG4002-001	POLY BAG		
P 2	QPA00801205	POLY BAG	8cm x 12cm	
P 3	FSYH4036-068	SHEET		
P 4	QPA01003003	POLY BAG	10cm x 30cm	
P 5	QPC03004315P	POLY BAG	30cm x 43cm	
P 6	GE31143-003A	CARTON		AR80 0J
P 6	GE31140-003A	CARTON		G800J
P 7	GE10086-002A	EPS CUSHION	(x2)	